

Automatic
Manual

Recipe Name: AL203 PLASMA 3000
Data Log Interval: 00 00 00 125
Created: 26-Aug-12 5:57:10 am
Recipe Length: 0000:35:08.480

New
Load
Save
Run

Step Library
Chamber 1

Edit
New
Copy
Delete

1. pre heat
2. set up pressure
3. Repeat 174
4. dose TMA
5. Purge TMA
6. Divert Argon
7. O2 Plasma
8. Post Plasma purge
9. Loop
10. pump
- *

Navigation icons: Home, Up, Down, Refresh, Stop, Run, M, T

Empty area for Step Library/Chamber 1 content.

Navigation icons: Home, Up, Down, Refresh, Stop, Run, M, T

Process Step Editor

Step Name

START STOP PAUSE

STEP TIME

PUMP TO PRESSURE

IGNORE TOLERANCE

LOG INTERVAL

Total Steps	Recipe Length	Total Cycles
<input type="text"/>	<input type="text"/>	<input type="text"/>
Completed	Time Left	Completed
<input type="text"/>	<input type="text"/>	<input type="text"/>

PROCESS MODE

TURBO ROUGH

TABLE HEATER Deg.C

HEATER READY

APC CONTROLLER

Set Pressure
 Chamber Pressure

Set Position
 Valve Position

Pressure Position

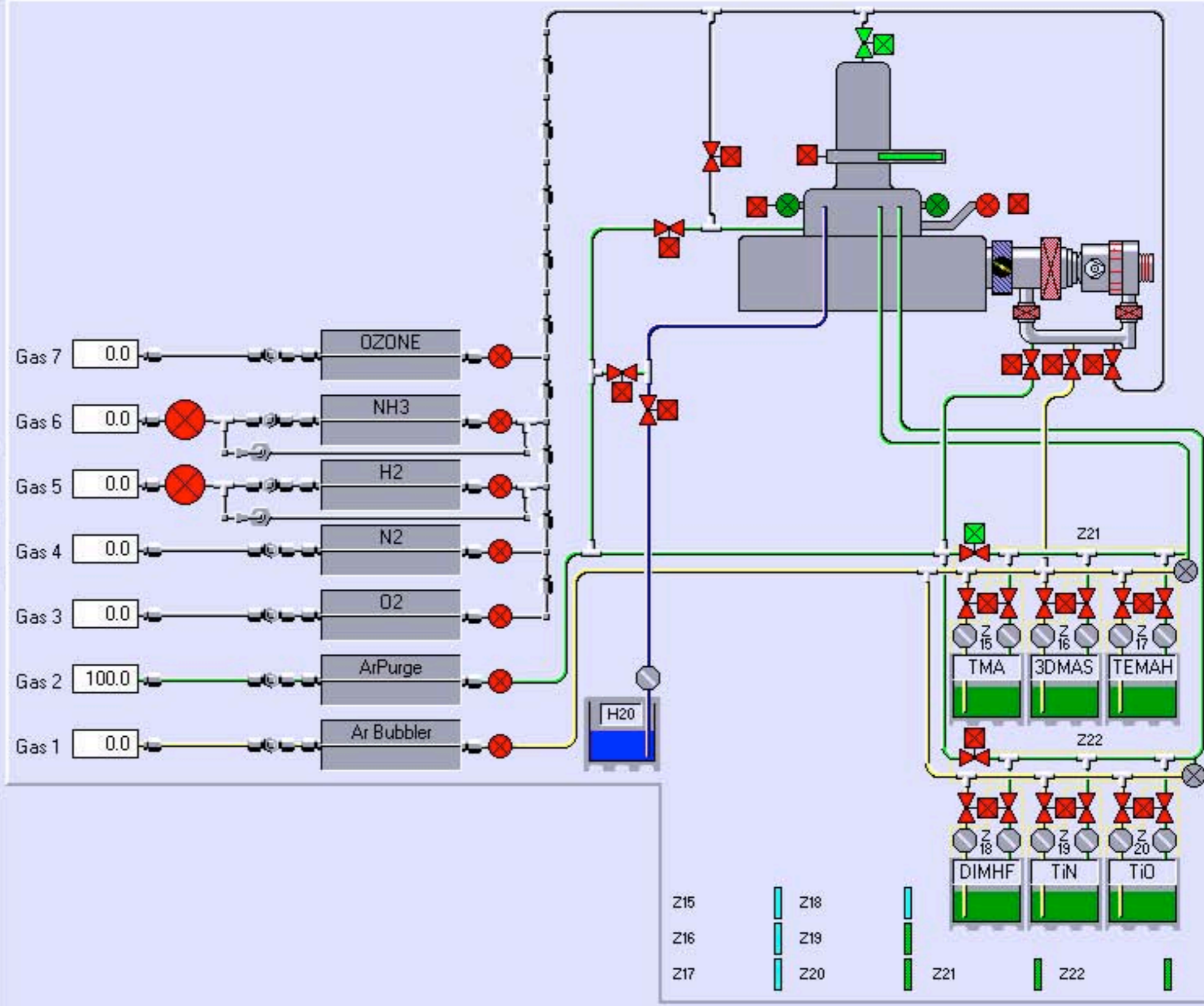
RF GENERATOR

Forward Power
 Reflected Power

RF AUTOMATCH

CAPACITOR 1 CAPACITOR 2

AUTO MANUAL HOLD



Process Step Editor

Step Name

START STOP PAUSE

STEP TIME

PUMP TO PRESSURE

IGNORE TOLERANCE

LOG INTERVAL

Total Steps	Recipe Length	Total Cycles
<input type="text"/>	<input type="text"/>	<input type="text"/>
Completed	Time Left	Completed
<input type="text"/>	<input type="text"/>	<input type="text"/>

PROCESS MODE

TURBO ROUGH

TABLE HEATER Deg.C

HEATER READY

APC CONTROLLER

Set Pressure
Chamber Pressure

Set Position
Valve Position

Pressure Position

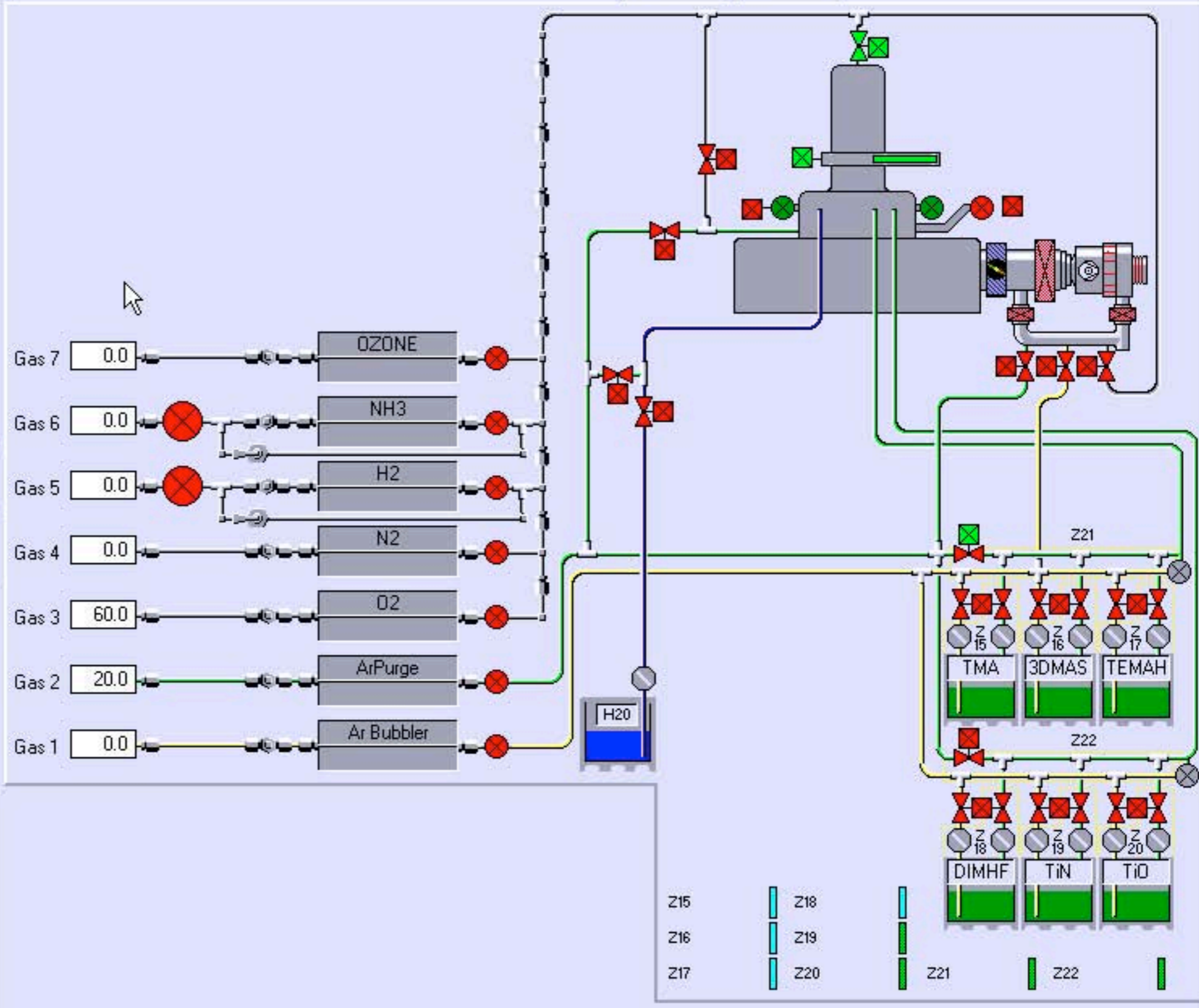
RF GENERATOR

Forward Power
Reflected Power

RF AUTOMATCH

CAPACITOR 1 CAPACITOR 2

AUTO MANUAL HOLD



Process Step Editor

Step Name

OK Cancel

START STOP PAUSE

STEP TIME

PUMP TO PRESSURE

IGNORE TOLERANCE

LOG INTERVAL

Total Steps	Recipe Length	Total Cycles
<input type="text"/>	<input type="text"/>	<input type="text"/>
Completed	Time Left	Completed
<input type="text"/>	<input type="text"/>	<input type="text"/>

PROCESS MODE

TURBO ROUGH

TABLE HEATER Deg.C

HEATER READY

APC CONTROLLER

Set Pressure	Set Position
<input type="text" value="15.0"/>	<input type="text" value="0.0"/>
Chamber Pressure	Valve Position

Pressure Position

RF GENERATOR

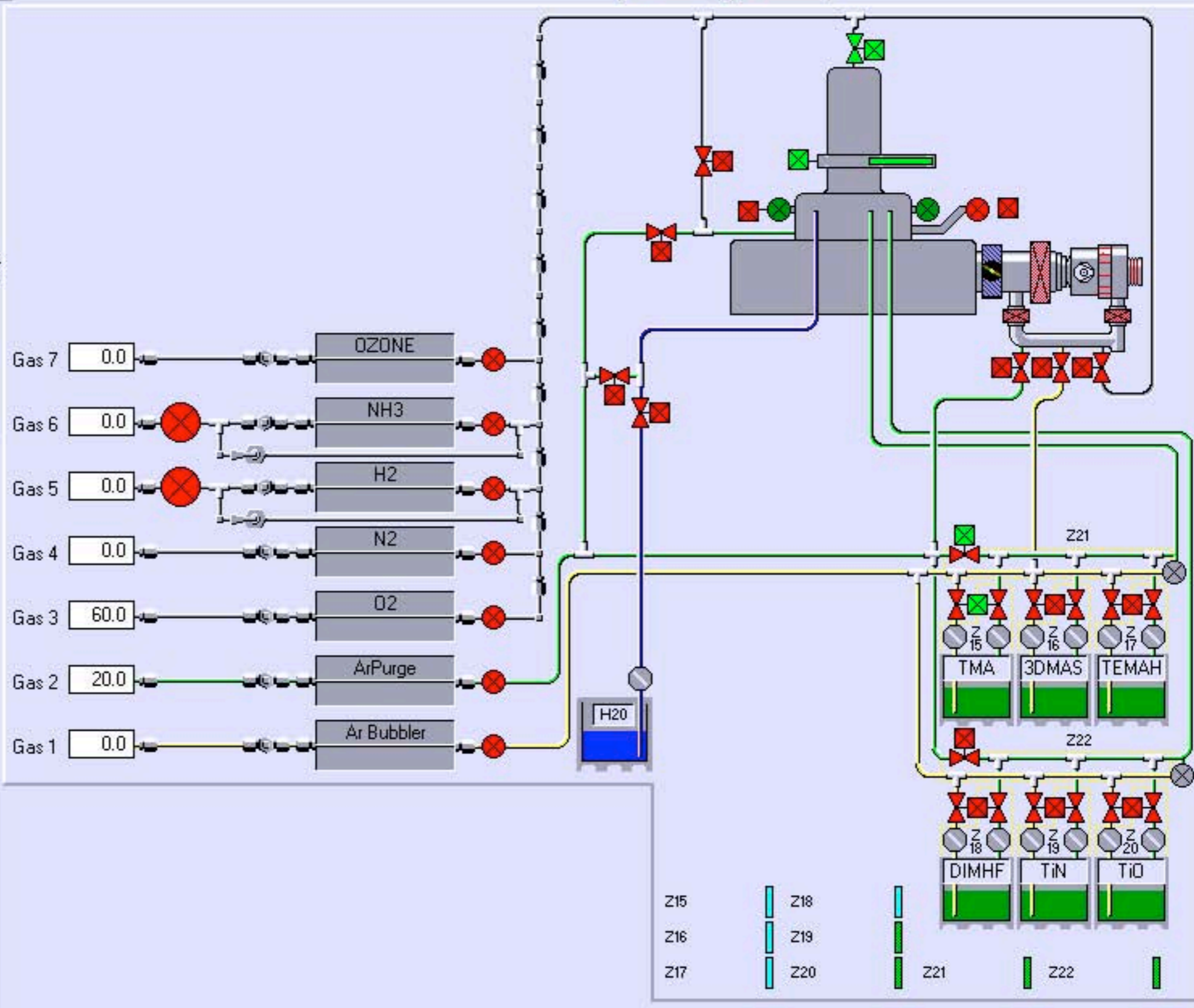
Forward Power

Reflected Power

RF AUTOMATCH

CAPACITOR 1	CAPACITOR 2
<input type="text" value="0.0"/>	<input type="text" value="0.0"/>

AUTO MANUAL HOLD



Process Step Editor

Step Name

OK Cancel

START STOP PAUSE

STEP TIME

PUMP TO PRESSURE

IGNORE TOLERANCE

LOG INTERVAL

Total Steps:
 Recipe Length:
 Total Cycles:

PROCESS MODE
 TURBO ROUGH

TABLE HEATER Deg.C
 HEATER READY

APC CONTROLLER

Set Pressure:
 Chamber Pressure:

Set Position:
 Valve Position:

Pressure Position

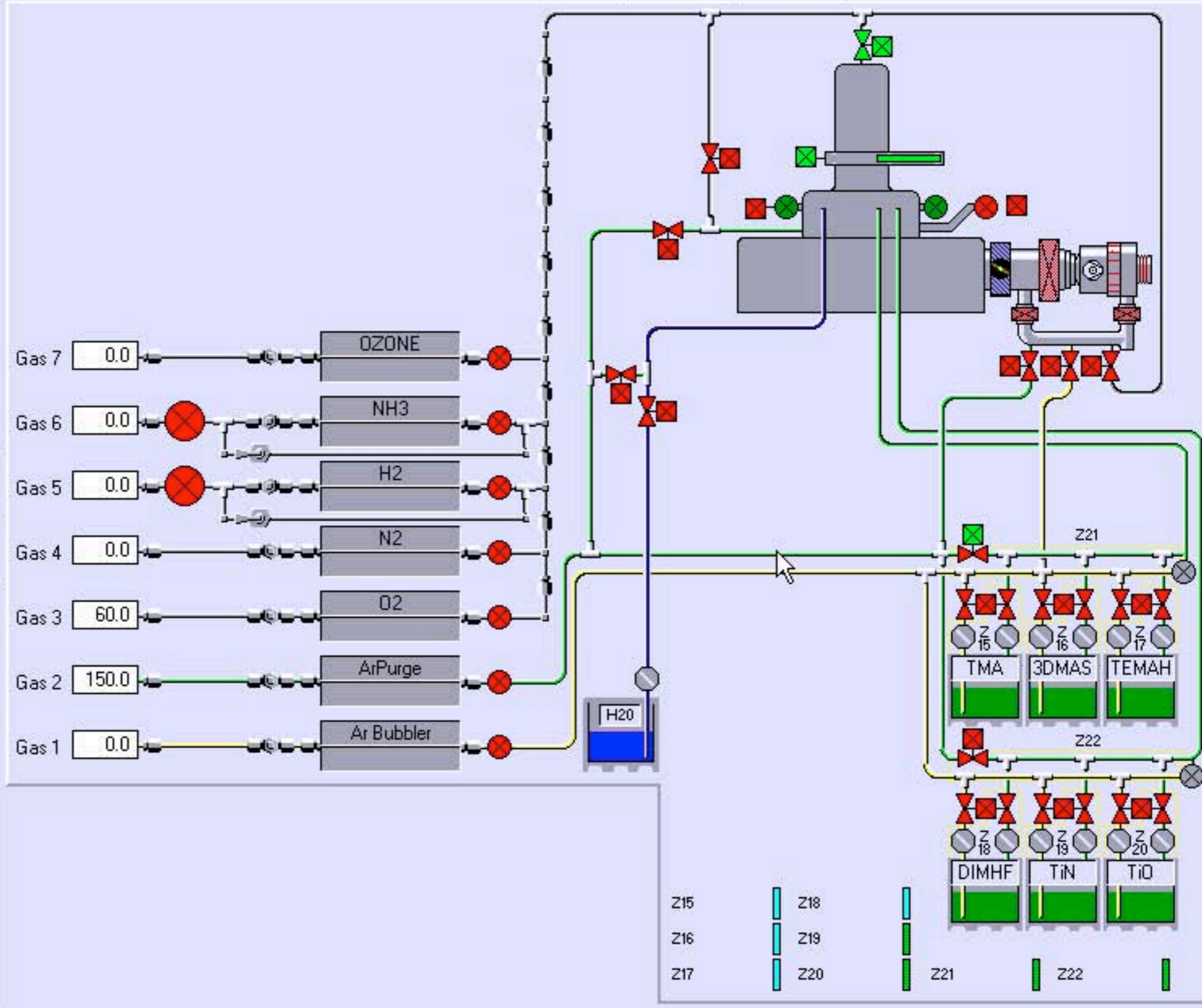
RF GENERATOR

 Forward Power

Reflected Power

RF AUTOMATCH
 CAPACITOR 1:
 CAPACITOR 2:

AUTO MANUAL HOLD



Process Step Editor

Step Name

START STOP PAUSE

STEP TIME

PUMP TO PRESSURE

IGNORE TOLERANCE

LOG INTERVAL

Total Steps:
 Recipe Length:
 Total Cycles:

Completed: Time Left: Completed:

PROCESS MODE

TABLE HEATER Deg.C

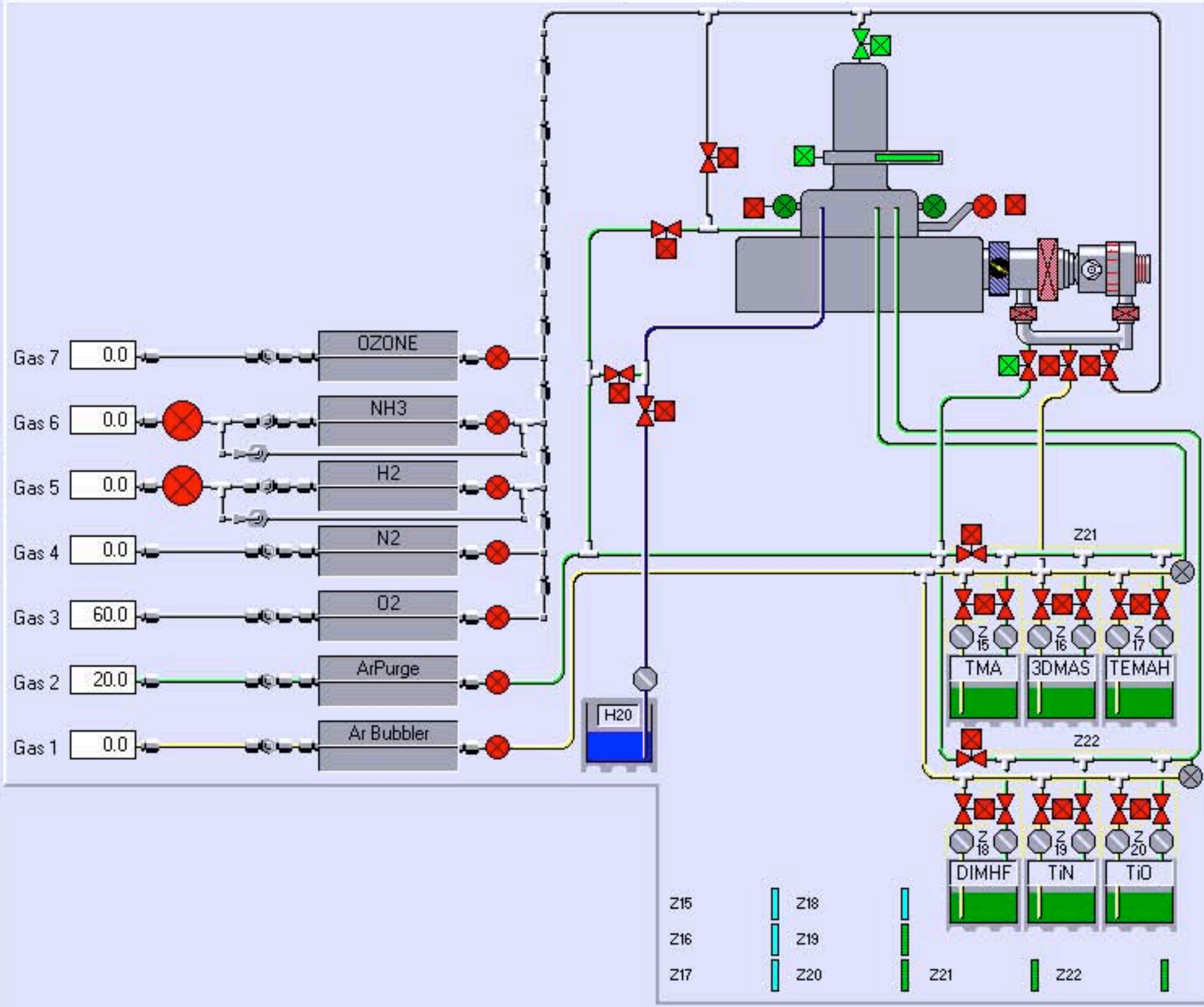
APC CONTROLLER

Set Pressure:
 Chamber Pressure:

Set Position:
 Valve Position:

RF GENERATOR
 Forward Power:
 Reflected Power:

RF AUTOMATCH
 CAPACITOR 1: CAPACITOR 2:



Process Step Editor

Step Name

START STOP PAUSE

STEP TIME

PUMP TO PRESSURE

IGNORE TOLERANCE

LOG INTERVAL

Total Steps	Recipe Length	Total Cycles
<input type="text"/>	<input type="text"/>	<input type="text"/>
Completed	Time Left	Completed
<input type="text"/>	<input type="text"/>	<input type="text"/>

PROCESS MODE

TURBO ROUGH

TABLE HEATER Deg.C

HEATER READY

APC CONTROLLER

Set Pressure
Chamber Pressure

Set Position
Valve Position

Pressure Position

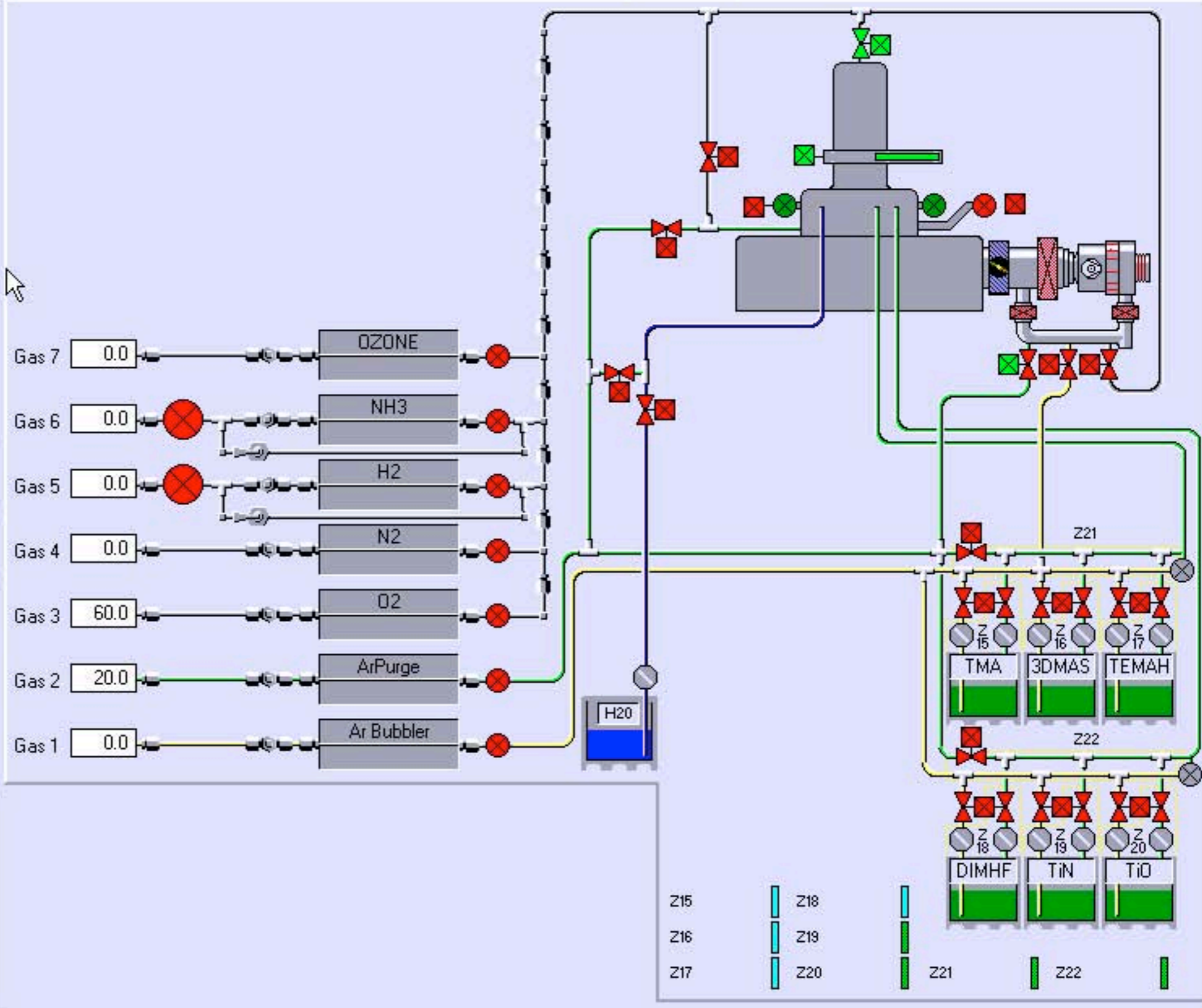
RF GENERATOR

Forward Power
Reflected Power

RF AUTOMATCH

CAPACITOR 1 CAPACITOR 2

AUTO MANUAL HOLD



Process Step Editor

Step Name

OK

Cancel

START STOP PAUSE

STEP TIME

00 00 01 000

PUMP TO PRESSURE

7.50e-09

IGNORE TOLERANCE

LOG INTERVAL

00 00 00 125

Total Steps	Recipe Length	Total Cycles
Completed	Time Left	Completed

PROCESS MODE

TURBO ROUGH

TABLE HEATER Deg.C

300 0

HEATER READY

APC CONTROLLER

Set Pressure: 15.0

Chamber Pressure

Set Position: 0.0

Valve Position

Pressure Position

RF GENERATOR

Forward Power: 0

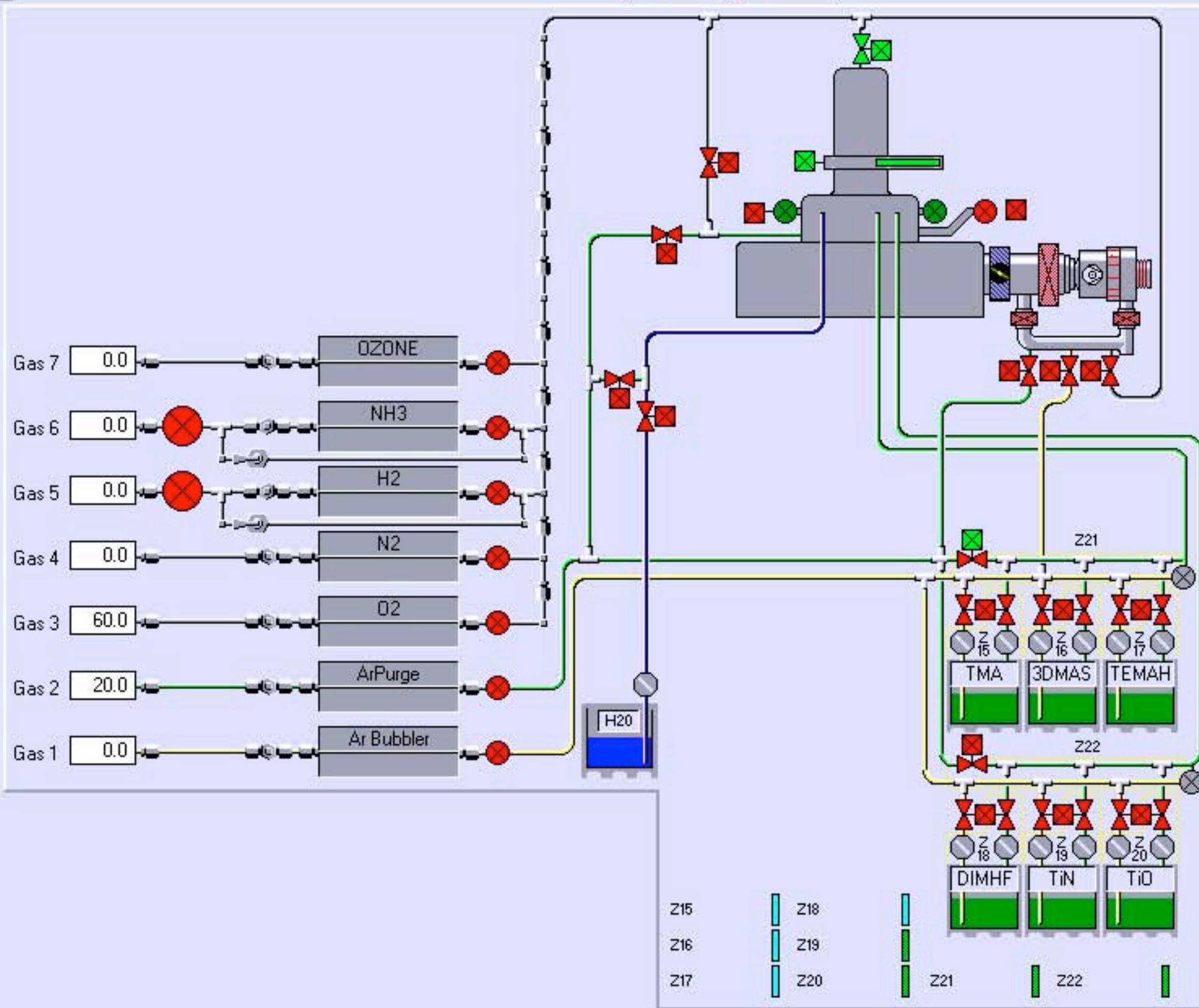
Reflected Power

RF AUTOMATCH

CAPACITOR 1: 0.0

CAPACITOR 2: 0.0

AUTO MANUAL HOLD



Process Step Editor

Step Name

OK Cancel

START STOP PAUSE

STEP TIME

PUMP TO PRESSURE

IGNORE TOLERANCE

LOG INTERVAL

Total Steps:
 Completed:

Recipe Length:
 Time Left:

Total Cycles:
 Completed:

PROCESS MODE

TURBO ROUGH

TABLE HEATER Deg.C

HEATER READY

APC CONTROLLER

Set Pressure:
 Chamber Pressure:

Set Position:
 Valve Position:

Pressure Position

RF GENERATOR

Forward Power:
 Reflected Power:

RF AUTOMATCH

CAPACITOR 1: CAPACITOR 2:

AUTO MANUAL HOLD

