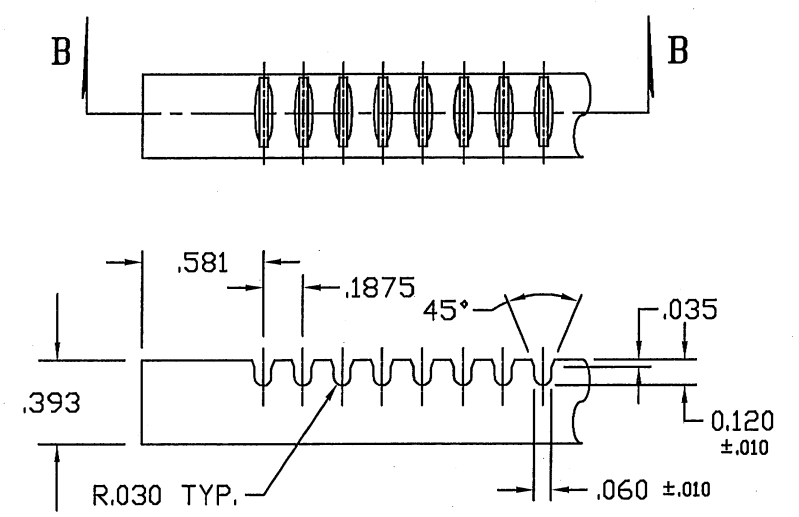
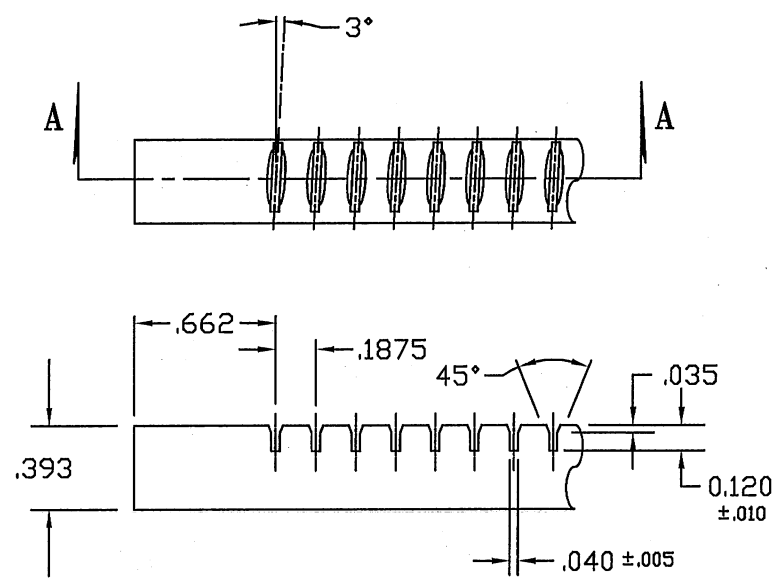
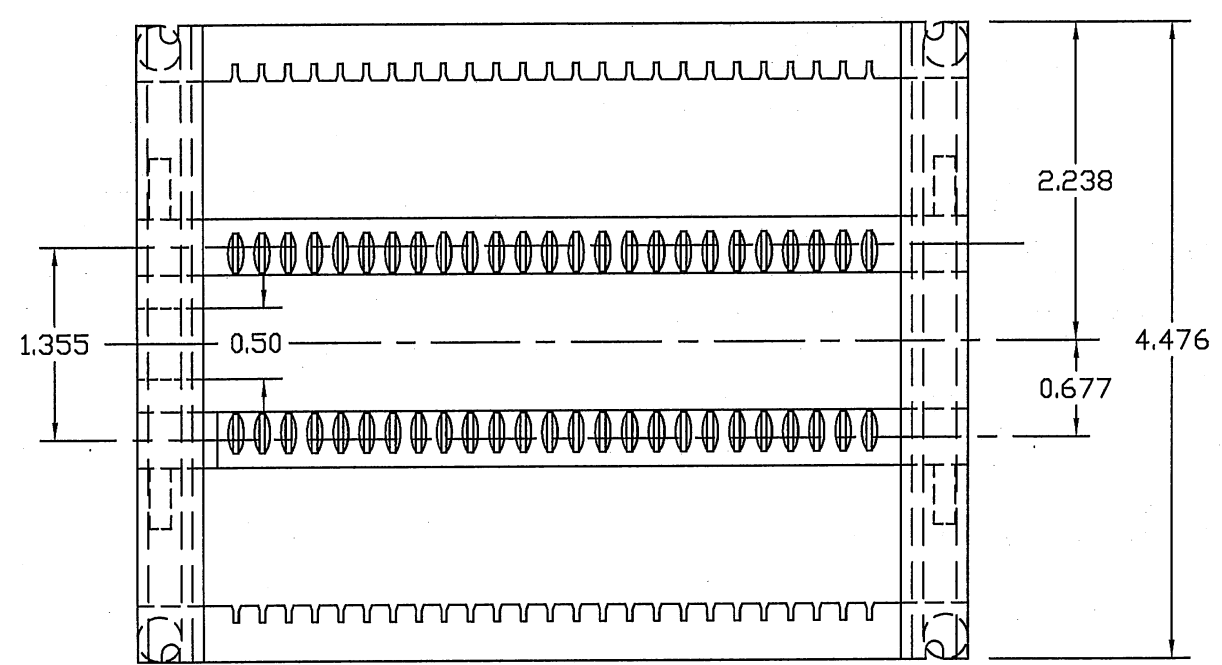
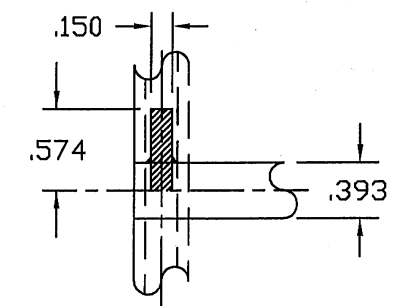
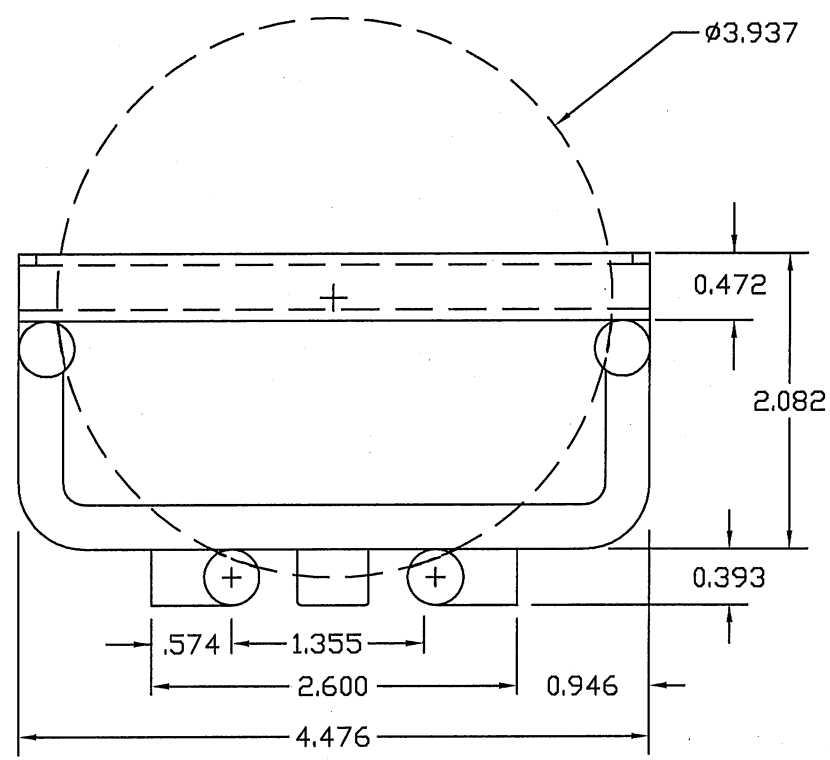
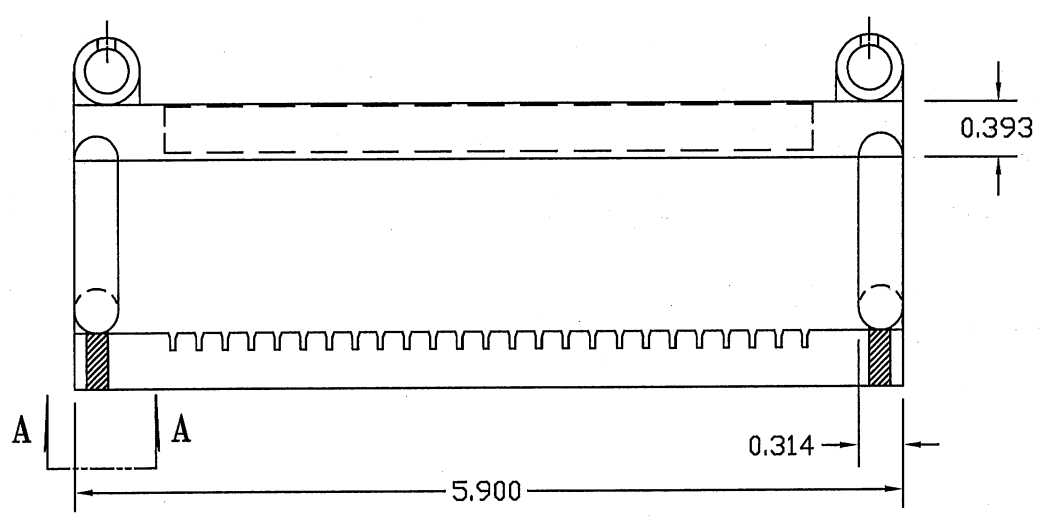
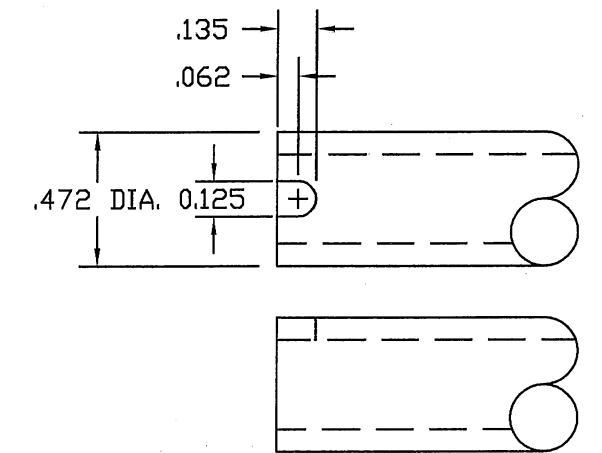


REV.	DESCRIPTION	E.O.	DFT.	CHK.	APP.	DATE
A	INITIAL RELEASE	---		MS	JLS	3/16/69



SECTION A-A
(SCALE: NONE, UPPER ROD)

SECTION B-B
(SCALE: NONE, LOWER ROD)



SECTION A-A
(SCALE: NONE)

- NOTES:
1. MATERIAL: CFQ
 2. NO FOREIGN PARTICLE OR CONTAMINATION IS ALLOWED.
 3. DIMENSIONS ARE IN INCHES.
 4. FIRE POLISH AND ANNEAL COMPLETELY.

ITEM NO.	QTY.	DESCRIPTION	CFQ PART NUMBER.	QUARTZ MATERIAL
		UNLESS OTHERWISE SPECIFIED DIMENSIONS ARE IN INCHES. TOLERANCE ON DECIMALS .X ± .10 .XX ± .03 .XXX ± .010 ON ANGLES ±1/2° BREAK ALL EDGES .010 MAX.	SIGNATURES DRAWN: [Signature] CHECKED: [Signature] APPROVED: [Signature] DESIGN APP. [Signature]	DATE 3/16/69 3/16/69 3/16/69
TYSTAR CORP.				
DWG. TITLE: WAFER CARRIER 4" WAFER(100mm) NON CONTIGIOUS- 8" TUBE				
		TYTAN 8300	SIZE B	CAD FILE NO. 122449-A
		TYTAN 3800		DWG. NO. 122449-001
NEXT ASSY	MODEL ON		SCALE: HALF	WT: --- SHEET: 1 OF 1